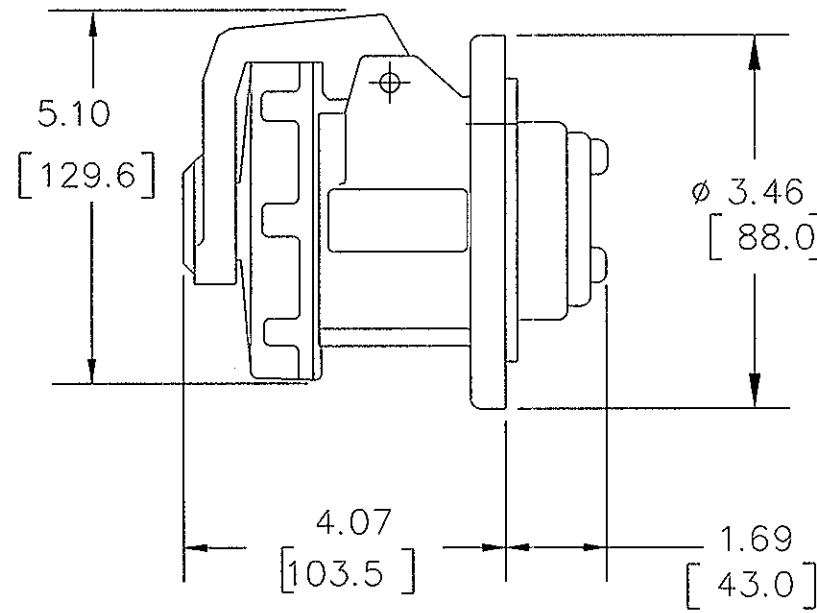
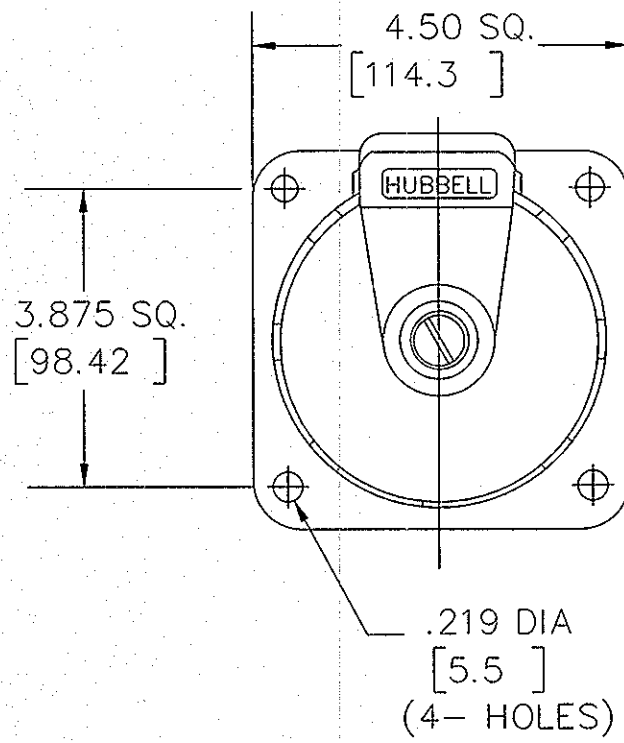


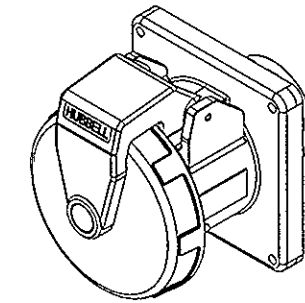
M-6077 7

LIST OF PARTS

DESCRIPTION	MATERIAL	FINISH
HOUSING	SEE TABLE	
INTERIOR	THERMOSET	
SLEEVES	BRASS	
SLEEVE INSERTS	BERR COPPER	SILVER
TERM. SCRS.	STAIN. STEEL	
COVER	POLYESTER	
COV. SCR.	BRASS	
COV. SPR.	STAIN. STEEL	
GASKET	RUBBER	
DISC	POLYCARBONATE	NICKEL
ARM	POLYESTER	
HINGE PIN	STAIN. STEEL	
HINGE SPR.	STAIN. STEEL	
ASS'Y SCRS	STAIN. STEEL	



NOTES: INCHES  
[MM]



CATALOG NO. HBL460R9W  
(NOT SHOW TO SCALE)

DIMENSION SHEET FOR CAT. NO.

SEE TABLE

REPAIRABLE

NON-REPAIRABLE

B

M-6077

7

CAT NO.	CONFIGURATION	RATING	HOUSING		CAT. NO.	CONFIGURATION	RATING	HOUSING	
			COLOR	MATERIAL				COLOR	MATERIAL
					HBL460R7W		60A 3φ 480VAC	RED	NYLON
HBL460R6V02		60A 380-415 VAC 63A 380-415 VAC	RED	VALOX	HBL460R9W		60A 3φ 250VAC	BLUE	NYLON
HBL460R5WS		60 3φ 600 VAC PILOT CONTACT A600	BLACK	NYLON	HBL460R9VO		60A 3φ 250VAC	BLUE	VALOX
HBL460R5W		60A3φ 600VAC	BLACK	NYLON					
HBL463R6W		63 AMP 380V-415VAC	RED	NYLON	HBL460R12W		60AMP 125/250VAC	ORANGE	NYLON

7	ADDED ISO VIEW TO INDICATE SOLID MODEL EMBEDDED IN DRAWING. PER DCN 21895 DDL	DJP	02/22/16
6	ADDED CAT. # HBL460R6V02 AND SPECS. TO TABLE. PER DCN 18699 DDL	CAC	04/24/12
5	ADDED CAT NO. HBL460R5WS PER DCN 11116	RDK	8-27-03 SPN
SYM	REVISIONS	APP	DATE

THE DESIGN AND DIMENSIONS OF THE PRODUCT SHOWN ON THIS DRAWING ARE SUBJECT TO CHANGE WITHOUT NOTICE

TITLE  
60 & 63A 3 POLE 4 WIRE  
PIN & SLEEVE RECEPTACLES

TOLERANCES UNLESS OTHERWISE SPECIFIED .XX = ± .01 .XXX = ± .005 ANGLES = ± 2°		WIRING DEVICE-KELLEMS HUBBELL INCORPORATED SHELTON, CT	
DR. BY	W.T.C.	APP. BY	
TR. BY		SCALE	NONE
CHK'D BY		DATE	4-25-80